

DK10.21.927.07

9.7W / 2700K / 14° / IP44

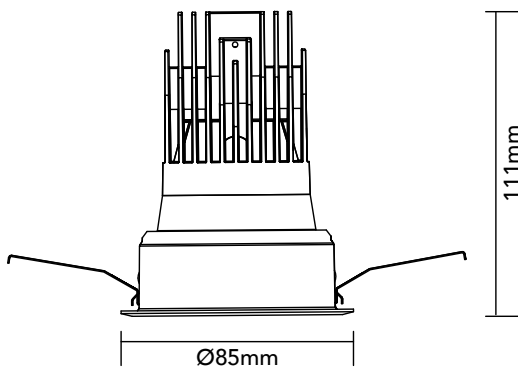


Frame Colour Options

- White
- Black

Baffle Colour Options

- Matte White
- Metallic Chrome
- Metallic Gold
- Metallic Black
- Matte Black



Key Specifications

Shape	Round
Frame Type	Trim
Engine Orientation	Adjustable
Lamp Type	LED
System Power	9.7 W
Colour Temperature	2700 K
Lumen Output	535 lm
CRI	>90 Ra
Beam Angle	14°
Warranty	SEVEN (7) year limited

LED

Model	Citizen CLU701-1002C4
Colour Temperature	2700 K
SDCM	<3
Rated Lifespan	>100000 hours (L70)

Physical

Body Shell	Aluminium 6063
Frame	Aluminium 6063
Baffle	Powder Coated / UV Processed
Optics	PMMA Lens
Filter	Honeycomb Louvre (Optional)
Net Weight	0.17 kg

Environmental

Installation Environment	Ceiling
Mounting	Recessed
Operating Temperature	-20° to 40°C
Humidity	10% to 90% RH
IP Rating	IP44

Power Supplies

Input Current	200 mA
Input Voltage	AC220-240 V
Model On/Off	Tridonic 87500800
Model TRIAC Dimming	Philips Xitanium
Model 0-10V Dimming	LiFud AAA012
Model DALI Dimming	LiFud AAD012