

DK20.14.930.14

20.4W / 3000K / 47° / IP54

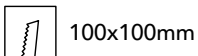
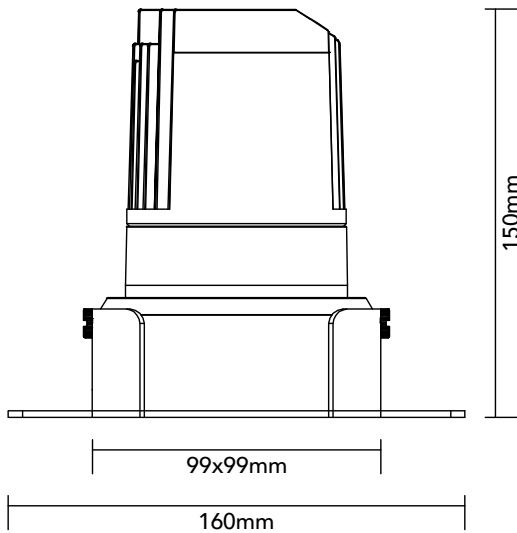


Frame Colour Options

- White
- Black

Baffle Colour Options

- Matte White
- Metallic Chrome
- Metallic Gold
- Metallic Black
- Matte Black



Key Specifications

| | |
|--------------------|------------------------|
| Shape | Square |
| Frame Type | Trimless |
| Engine Orientation | Fixed |
| Lamp Type | LED |
| System Power | 20.4 W |
| Colour Temperature | 3000 K |
| Lumen Output | 2010 lm |
| CRI | >90 Ra |
| Beam Angle | 47° |
| Warranty | SEVEN (7) year limited |

LED

| | |
|--------------------|-----------------------|
| Model | Citizen CLU028-1204C4 |
| Colour Temperature | 3000 K |
| SDCM | <3 |
| Rated Lifespan | >100000 hours (L70) |

Physical

| | |
|------------|------------------------------|
| Body Shell | Aluminium 6063 |
| Frame | Aluminium 6063 |
| Baffle | Powder Coated / UV Processed |
| Optics | PMMA Lens |
| Filter | Honeycomb Louvre (Optional) |
| Net Weight | 0.76 kg |

Environmental

| | |
|--------------------------|---------------|
| Installation Environment | Ceiling |
| Mounting | Recessed |
| Operating Temperature | -20° to 40°C |
| Humidity | 10% to 90% RH |
| IP Rating | IP54 |

Power Supplies

| | |
|---------------------|-------------------|
| Input Current | 500 mA |
| Input Voltage | AC220-240 V |
| Model On/Off | Tridonic 87500863 |
| Model TRIAC Dimming | Philips Xitanium |
| Model 0-10V Dimming | LiFud AAA020 |
| Model DALI Dimming | LiFud AAD020 |